



Product name: Power Pack for iPod/iPhone
Item number: FVPD01
Edition: 1.0
Date: July 24, 2011

1 Introduction

1.1 Scope

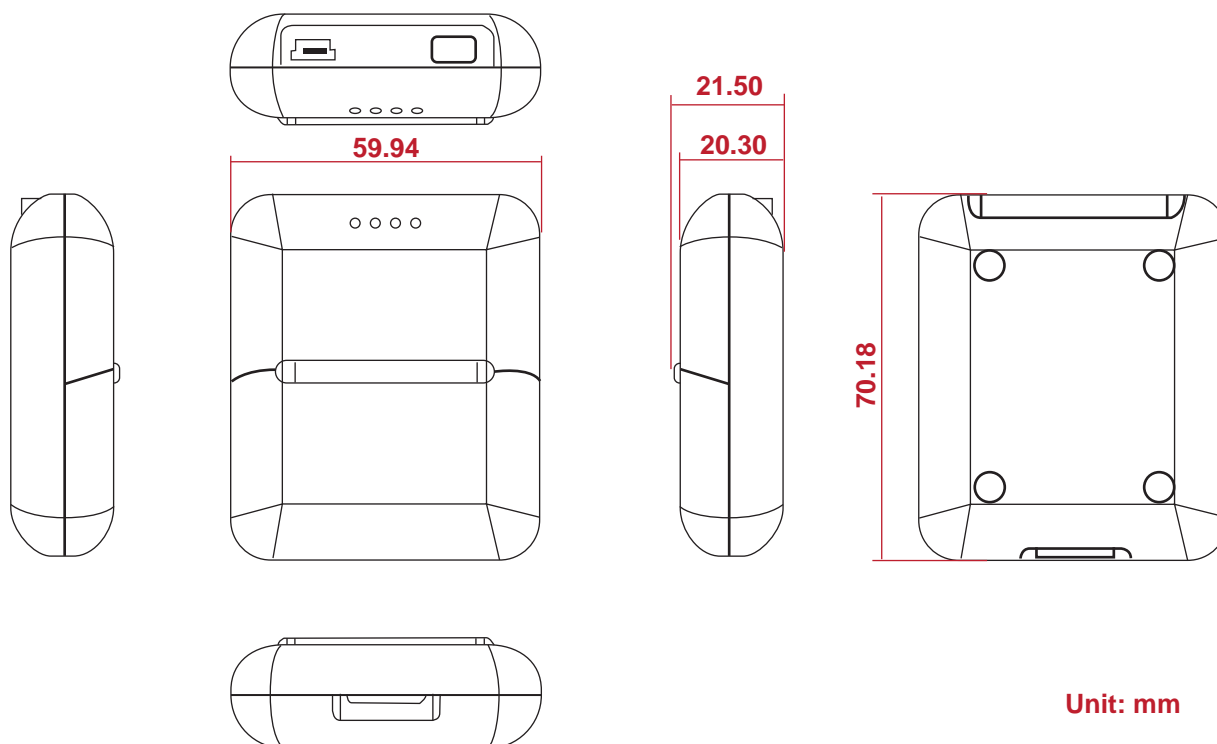
A compact docking with built-in 1500 mAh Li-battery for your battery charging. Great travel item for your convenience to carry anywhere and use anywhere. Simple flip up our custom designed cap, put the iPhone on, you can use it as a docking and back up power pack.,

1.2 Feature

- Customized design docking for iPhone 4
- Built-in 1500mAh Li-battery
- LED light for FVPD01 battery power indication
- Flippin' cap for protecting 30 pin connector

2. Mechanical Description

2.1 Dimension



2.2 Appearance



2.3 Accessories

- Mini-B to USB cable, length is 100cm.

3. Functional Descriptions :

3.1. Interface :

- Input Interface: Mini-B USB connector
- Output Interface: 30pin connector
- Output: 5V / 1A
- Input: 5V / 500mA
- Power level checking button

3.2. Applications :

3.2.1. Charging FVPD01 and iPhone/iPod at same time

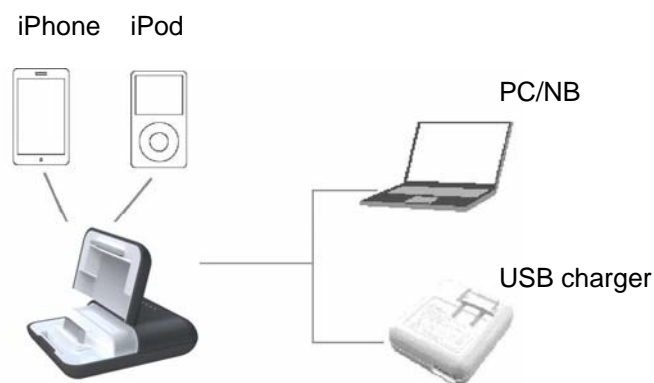
3.3. Charging(reference only) :

3.3.1. FD401 Battery charging

- Lithium battery capacity :1500mA
- Energy density: 330~399 wh/lb
- Over time charging protection:after 5 hrs
- Charging FVPD01 with USB cable: 4.5 hrs

3.3.2. iPhone/iPod charging

- The power fulled FVPD01 will increase iPhone / iPod 65% power level
- Charging time:about 1.0 hrs



3.4. Power extension :

- Talk time: Up to 4.5 hours on 3G, up to 9 hours on 2G
- Standby time: Up to 200 hours
- Internet use: Up to 4 hours on 3G, up to 7 hours on Wi-Fi
- Video playback: Up to 7 hours
- Audio playback: Up to 25 hours

3.5. Power Requirement :

USB charger is required.

3.6. LED:

- Red lights in the right upper side: Charging
- Red/Green lights in the middle: Power level
- By pressing the Power level check button: 2 LED lights indicated full power
- Red/Green LED:

1. One Green LED lighting means, 0%~30% power,
2. Two Green LED lighting means 50%~70% power,
3. Three Green LED lighting means over 90% power.

4. System Requirements:

4.1. Hardware

- USB 1.1 or USB 2.0 port

4.2. Driver and Operating System Compatibility

N/A

4.3. Package Included

TBD

5. Safety, Regulatory and Environmental Specifications:

5.1. Operation Environments :

5.1.1. Working Condition

Working temperature 0°C ~ +40°C

Working humidity 10% ~ 85%RH

5.1.2. Storage Condition

Storage temperature -10°C ~ +50°C

Storage humidity 10% ~ 85%RH

5.2. Regulatory Tests :

Meet EMI Standard as below:

FCC

5.3. Global Environmental Requirements :

RoHS EU

RoHS China

WEEE