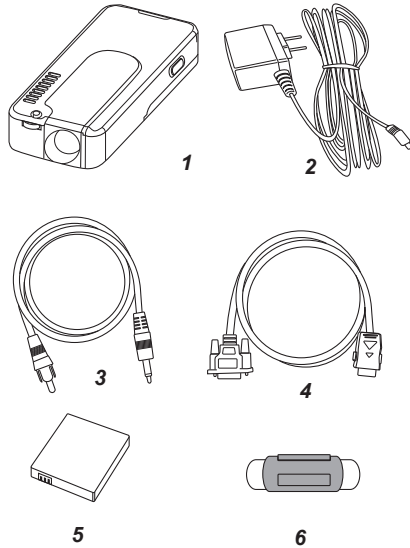


# Pico Projector Quick Start Guide

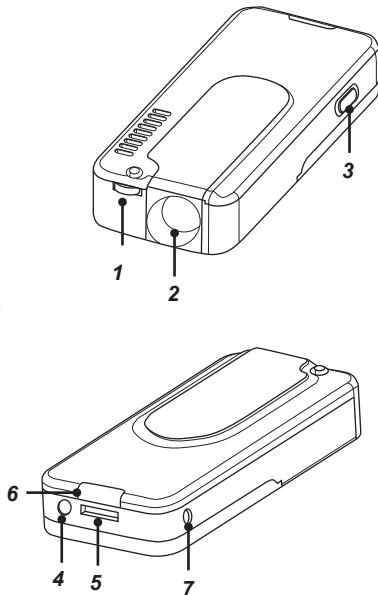
## Package Contents

- 1 Projector
- 2 Battery Charger / AC Adapter
- 3 Video Cable
- 4 VGA Cable
- 5 Battery
- 6 RCA Adapter
- 7 Stand (Option)



## Parts

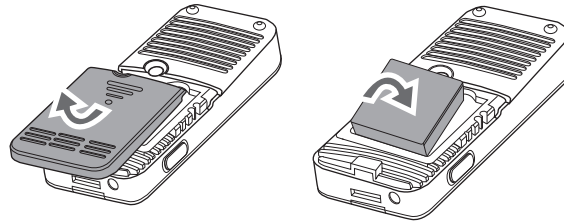
- 1 Focus Wheel
- 2 Lens
- 3 Power On/Off
- 4 Video IN
- 5 VGA IN
- 6 Power and Charge LEDs
- 7 DC Power IN



## Getting Started

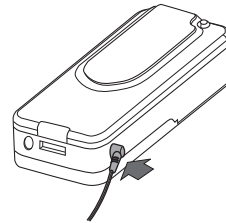
### Install Battery

To install the battery: Slide the back cover off, insert the battery, and reinstall the cover.



### Charge the Battery

To charge the battery: (1) Turn the power switch OFF. (2) Connect the battery charger/AC adapter to the projector's DC in. (3) Plug the battery charger/AC adapter into an electrical outlet. (4) The charge LED lights orange while the battery charging. The battery will be fully charged in about 2 hours. (5) Once charging is completed, the charge will turn off.

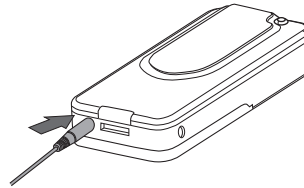


**Note:** The battery will not charge when the power switch is in the ON position. Turn the power switch OFF to charge battery.

**Charge 5 hours when you first time charging battery.**

### Connecting to a Video Source

(1) Connect the included video cable to the projector (2) Connect the video to the video source's cable or the output port.

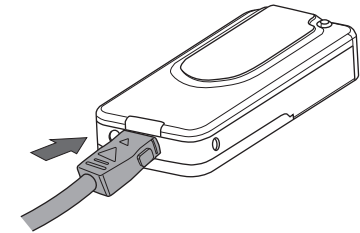


**Note:** If the two cables have the same connector on the end, use the RCA adapter to connect the two cables.



## Connecting to a Computer Video Source

Connect the included VGA cable to the projector (2) Connect the VGA cable to the desktop computer, laptop computer, ultra-portable computers and some personal digital assistant's video output.



## Powering On

Push the power switch button. The power LED will turn green and the projector will energize. The projector will automatically detect the connected cable and switch to the appropriate port. Then the projector will detect and display the video source. If the video source is not detected, the projector will display blue image.

Tip: The video output on some devices is turned off by default. Please refer to the device's documentation for enabling the video.

## Powering Off

Push the power switch button again, turn off the projector. Disconnect video, VGA and AC adapter cables.